

FOX METER, INC

INSTRUMENTATION FOR INDUSTRY

F500 Series

High performance panel instruments
 uP based electronics, high performance
 delta-sigma A/D with 65,000 counts resolution for
 unparalleled accuracy and linearity, input range optimized per customer requirement

Functional Choices

- **F510 - Process:** DC volts, amps, or 4 to 20 mA; dual scale factors; peak and valley displays
- **F520 - Ohmmeter:** user specified resistance range
- **F530 - Process:** 24 VDC excitation or **Strain gauge:** 10VDC excitation (specify signal, ie. 30mV or 4-20mA)
- **F540 - TRMS AC:** volts or amps
- **F550 - Integrating DC input:** 4 to 20 mA input, scalable rate plus bi-directional totalizing function. display: charge in Amp-hours, flow rate in total gallons, plating thickness in Amp-minutes, etc.
- **F560 - Non-linear DC input:** square root function for differential pressure to flowrate, and cosine function for phase angle to power factor conversion
- **F570 - Thermocouple:** specify type B, E, J, K, R, S, or T; linearized to full T/C range
- **F580 - RTD:** 100 Ohm platinum, 0.01 degree resolution C or F
- **F590 - High speed DC input:** user selectable 10.8 To 104.4 updates per second

General Specifications

Base meter

- **Size** - fits 1/8 DIN cutouts
- **Display** - bright 6-digit high efficiency LED
- **Bezel** - black high impact ABS plastic, UL-VO94
- **Display window** - red non-glare cast acrylic
- **Sealing** - NEMA 4X gasketing standard
- **Controls** - setup menu is accessed via switches located on rear of meter
- **Connections** - socketed screw terminal connectors
- **Remote control inputs** - various functions available based on meter function
- **Operating temperature** - -55°C To +85°C

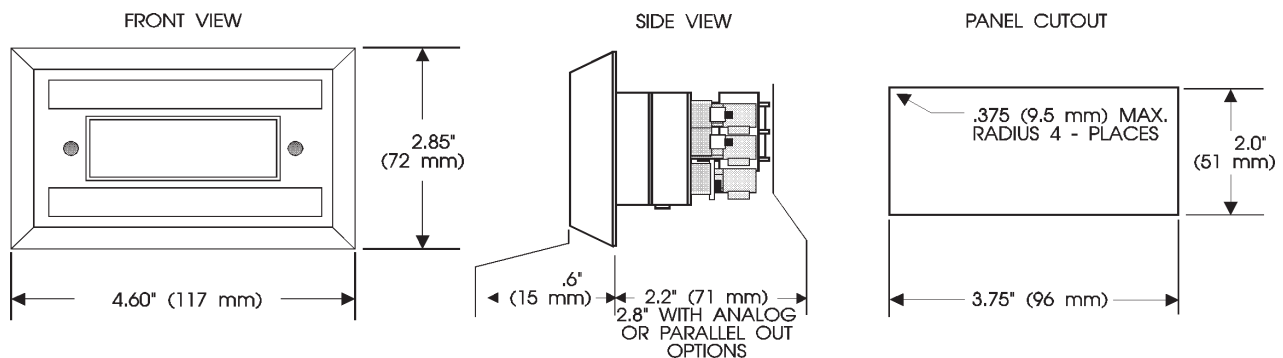
Outputs

- **Serial ASCII** - RS232, RS422/485, current loop
- **Parallel BCD** - 5 word / bit modes
- **Analog** - 4 To 20 mA, 1-5 V
- **Relay** - up to 4 setpoints, 200V @ 1A relay outputs require 1 F000-920 master setpoint module and up to 3 F000-924 slave setpoint modules

Power supplies

- **120 VAC** - 50 / 60 Hz, 20 mA maximum
- **220 VAC** - 50 / 60 Hz, 10 mA maximum
- **5.1 to 14 VDC** - 100 mA maximum
- **10 to 30 VDC** - 50 mA maximum

F500 Series Mechanical Specifications



FOX METER, Inc., 302 W. Lincoln Hwy. Suite 2, Cortland, IL 60112 • Phn: 815-758-7000 • Fax: 815-758-1640 • E-mail: sales@foxmeter.com

F500 Series

0.4" 6-Digit 1/8 DIN

(Voltage, Current, Resistance, Temperature)

Model numbers consist of a prefix letter, a family number, a function number, a power supply number, and a three digit I/O configuration number. Family number 5 indicates base analog meter, family number 6 indicates the addition of the setpoint interface.

BASE METER OPTIONS F -

F[51] - DC process.....	\$393	F[61] - DC process.....	\$428
F[52] - Ohmmeter.....	\$425	F[62] - Ohmmeter.....	\$453
F[53] - Straingauge.....	\$425	F[63] - Straingauge.....	\$453
F[54] - TRMS AC.....	\$408	F[64] - TRMS AC.....	\$443
F[55] - Integrating DC input.....	\$413	F[65] - Integrating DC input.....	\$448
F[56] - Non-Linear DC input.....	\$413	F[66] - Non-Linear DC input.....	\$448
F[57] - Thermocouple.....	\$418	F[67] - Thermocouple.....	\$453
F[58] - RTD.....	\$408	F[68] - RTD.....	\$443
F[59] - High speed DC input.....	\$453	F[69] - High speed DC input.....	\$488

POWER SUPPLY OPTIONS -

[1] - 120 VAC 50 / 60 Hz.....	\$20
[3] - 240 VAC 50 / 60 Hz.....	\$30
[5] - 5.1 VDC to 14 VDC.....	\$10
[7] - 10 VDC to 30 VDC.....	\$30
[8] - 10 to 30 VDC with isolated input.....	\$105

INPUT / OUTPUT OPTIONS -

[651] - RS232C serial ASCII data.....	\$29
[652] - RS422 serial ASCII data.....	\$20
[653] - RS485 4-wire serial ASCII data.....	\$40
[655] - Isolated current loop ASCII data.....	\$60
[657] - RS232C and RS232C auxillary.....	\$149
[658] - RS232C and RS422 auxillary.....	\$140
[659] - No data inputs / no outputs.....	\$0
[661] - RS232C and 4 to 20 mA analog out.....	\$194
[662] - RS422 and 4 to 20 mA analog out.....	\$185
[665] - C/L and 4 to 20 mA analog out.....	\$225
[671] - RS232C and parallel data out.....	\$116
[672] - RS422 and parallel data out.....	\$107
[675] - C/L and parallel data out.....	\$147
[681] - RS232C and parallel data in.....	\$116
[682] - RS422 and parallel data in.....	\$107
[685] - C/L and parallel data in.....	\$147
[691] - Isolated 4 to 20 mA output.....	\$165
[692] - Parallel data outputs sinking.....	\$87
[693] - Parallel data inputs sinking.....	\$87
[694] - Parallel data outputs sourcing.....	\$87
[695] - Parallel data inputs sourcing.....	\$87