



# FOX METER, INC

INSTRUMENTATION FOR INDUSTRY

## F300 Series

High performance panel instruments  
 uP based electronics, easily modified  
 for those special applications that involve  
 communications, counting, timing, speed or display

### Functional Choices

- **F310 - Universal remote display:** ASCII RS232, RS422, current loop or parallel BCD, menu selectable firmware drivers for many scales and intelligent sensors
- **F320 - Clock remote:** ASCII remote display with lighted colons for use with F390 master clock
- **F330 - Dual counter:** scaleable, < 2KHz pulsed or contact, non-contending dual count inputs
- **F340 - Universal counter:** scaleable, bi-directional, quadrature, < 50 KHz pulsed or contact
- **F350 - Rate meter / tachometer:** hour, minute, second and variable time base, fully scaleable rate
- **F360 - Frequency meter:** 1 Hz to 10 MHz, decade shift menu selectable, precision gated counter
- **F370 - Decade timers:** selectable time base from hours to .0001 seconds, 11 selectable modes
- **F380 - HH:MM:SS timer:** like the F370 there are 11 program selectable control modes
- **F390 - Master clock:** 12 or 24 hour, date modes, accurate time keeping to 2099!

### General Specifications

#### Base Meter

- **Size** - fits 1/8 DIN cutouts
- **Display** - bright 6-digit high efficiency LED
- **Bezel** - black high impact ABS plastic, UL-VO94
- **Display window** - red non-glare cast acrylic
- **Sealing** - NEMA 4X gasketing standard
- **Controls** - setup menu is accessed via switches located on rear of meter
- **Connections** - socketed screw terminal connectors
- **Remote control inputs** - various functions available based on meter function

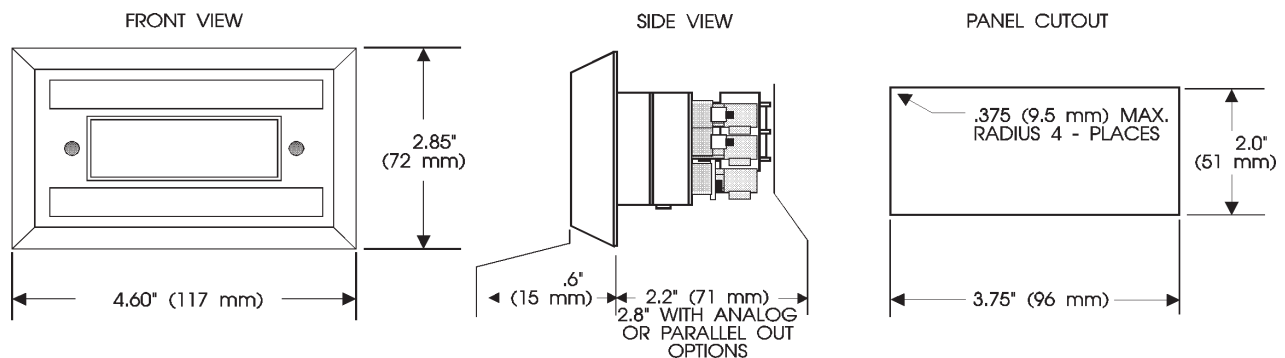
#### Outputs

- **Serial ASCII** - RS232, RS422/485, current loop
- **Parallel BCD** - 5 word / bit modes
- **Analog** - 4 To 20 mA, 1-5 V
- **Relay** - up To 4 setpoints, 200V @ 1A relay outputs require 1 F000-920 master setpoint module and up to 3 F000-924 slave setpoint modules

#### Power Supplies

- **120 VAC** - 50 / 60 Hz, 20 mA maximum
- **120 VAC** - with battery backed data
- **220 VAC** - 50 / 60 Hz, 10 mA maximum
- **5.1 to 14 VDC** - 100 mA maximum
- **10 to 30 VDC** - 50 mA maximum
- **10 To 30 VDC** - with battery backed data

### F300 Series Mechanical Specifications



FOX METER, Inc., 302 W. Lincoln Hwy. Suite 2, Cortland, IL 60112 • Phn: 815-758-7000 • Fax: 815-758-1640 • E-mail: sales@foxmeter.com

# F300 Series

# 0.4" 6-Digit 1/8 DIN

(Display, Clock, Timer, Counter, Frequency)

Model numbers consist of a prefix letter, a family number, a function number, a power supply number, and a three digit I/O configuration number. Family number 3 indicates base meter, family number 4 indicates the addition of the setpoint interface.

## BASE METER OPTIONS



F[31] - Universal remote display..... \$240	F[41] - Universal remote display..... \$295
F[32] - Clock remote..... \$240	F[42] - Clock remote..... \$295
F[33] - Dual counter..... \$305	F[43] - Dual counter..... \$325
F[34] - Universal counter..... \$305	F[44] - Universal counter..... \$325
F[35] - Rate meter / tachometer..... \$310	F[45] - Rate meter / tachometer..... \$330
F[36] - Frequency meter..... \$310	F[46] - Frequency meter..... \$330
F[37] - Decade timers..... \$275	F[47] - Decade timers..... \$330
F[38] - HH:MM:SS timer..... \$275	F[48] - HH:MM:SS timer..... \$330
F[39] - Master clock..... \$260	F[49] - Master clock..... \$315

## POWER SUPPLY OPTIONS



[1] - 120 VAC 50 / 60 Hz..... \$20	[8] - 120 VAC with battery backed data..... \$62
[3] - 240 VAC 50 / 60 Hz..... \$30	[9] - 10 to 30 VDC with battery backed data.... \$72
[5] - 5.1 VDC to 14 VDC..... \$10	
[6] - 5.1 VDC to 14 VDC w/battery back data.... \$42	
[7] - 10 VDC to 30 VDC..... \$30	

## INPUT / OUTPUT OPTIONS



[651] - RS232C serial ASCII data..... \$29
[652] - RS422 serial ASCII data..... \$20
[653] - RS485 4-wire serial ASCII data..... \$40
[655] - Isolated current loop ASCII data..... \$60
[657] - RS232C and RS232C auxillary..... \$149
[658] - RS232C and RS422 auxillary..... \$140
[659] - No data inputs / no outputs..... \$0
[661] - RS232C and 4 to 20 mA analog out..... \$194
[662] - RS422 and 4 to 20 mA analog out..... \$185
[665] - C/L and 4 to 20 mA analog out..... \$225
[671] - RS232C and parallel data out..... \$116
[672] - RS422 and parallel data out..... \$107
[675] - C/L and parallel data out..... \$147
[681] - RS232C and parallel data in..... \$116
[682] - RS422 and parallel data in..... \$107
[685] - C/L and parallel data in..... \$147
[691] - Isolated 4 to 20 mA output..... \$165
[692] - Parallel data outputs sinking..... \$87
[693] - Parallel data inputs sinking..... \$87
[694] - Parallel data outputs sourcing..... \$87
[695] - Parallel data inputs sourcing..... \$87